

TECHNICAL SPECIFICATION

Power Supply – 220-240Vac (±10%)

Single Phase

Ambient – 0-40°C (derate 2%/°C >40°C to 50°C max.)

1000m ASL (derate 1%/100m to 4000m max.)

Type	Output Current Continuous (A)	Output Current Peak (A)
631-001-230-F-0	1.0	2.0
631-002-230-F-0	2.0	4.0
631-004-230-F-0	4.0	8.0
631-006-230-F-0	6.0	12.0

Inputs/Outputs

4 - Configurable Digital Inputs (24V)

2 - Configurable Digital Outputs (24V)

1 - Analogue Input

Optional I/O Expander Module

8 - Configurable Digital Inputs/Outputs
(max. 4 outputs)

CANbus Input and Output

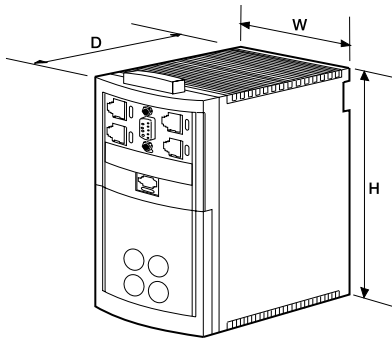
Resolver Feedback Input

Pulse Train Input and Output

Dimensions

H	W	D*
183	72.0	175

Fixings: Mounting holes 5.5mm – use M5 fixings.
 *45mm must be allowed for connectors.



STANDARDS

CE marked

EN61800-3 (EMC compliance) with integral filter

EN60178 (safety, low voltage)

UL listed to US and UL listed to Canadian safety standards

631 1 to 6A SERVO DRIVES

The 631 is much more than a basic brushless servo drive. With built-in motion controller, emc compliant filter, PLC functionality and even extended I/O option, it's a complete positioning system in a single module. The 631 is designed for direct connection to a 230Vac single phase supply without the need for any interposing transformer.



- 1500 STEP INTEGRAL MOTION CONTROLLER**
- INTEGRAL EMC COMPLIANT FILTERS**
- INTEGRAL BRAKE SWITCH**
- DIRECT 230V AC SUPPLY CONNECTION**
- SIMULATED ENCODER OUTPUT**
- DIN RAIL OR DIRECT PANEL MOUNT**

631 and 635/637+

1 to 6A

SERVO DRIVES

631 and 635/637+ Ancillary Equipment

Part Number Description

CABLES / CONNECTORS

Complete cable sets with connectors ready fitted at motor and drive end

CM469021Uxx0	Drive to ACG/ACM2n motor POWER. Non repetitive flexing, no brake core
CM469023Uxx0	Drive to ACG/ACM2n motor POWER. Repetitive flexing, with brake core
CM469095Uxx0	Drive to ACR(L) size 4 motor POWER. Repetitive flexing, with brake core
CM469025Uxx0	Drive to ACG/ACM2n/ACR(L) RESOLVER. Non repetitive flexing
CM469027Uxx0	Drive to ACG/ACM2n/ACR(L) RESOLVER. Repetitive flexing

xx = Complete cable set length; Standard lengths 2, 5, 10m. eg CM469021U050 = 5m length

Loose Cable (no connectors)

CM469020	Drive to ACG/ACM2n motor POWER. Non repetitive flexing, no brake core
CM469022	Drive to ACG/ACM2n motor POWER. Repetitive flexing, with brake core
CM469094	Drive to ACR(L) size 4 motor POWER. Repetitive flexing with brake core
CM469024	Drive to ACG/ACM2n/ACR(L) RESOLVER. Non repetitive flexing
CM469026	Drive to ACG/ACM2n/ACR(L) RESOLVER. Repetitive flexing

Loose Connectors

CI469039	Motor POWER CONNECTOR for ACG/ACM2n (size 0-3) Motor POWER CONNECTOR for ACR(L)
CI467068	Motor RESOLVER CONNECTOR for ACG/ACM2n/ACR(L) X10 I/O Drive Connector for 635/7 X30 Resolver Drive Connector for 635/7 X40 Encoder Drive Connector for 635/7 COM 2 Communications Drive Connector for 635/7
LA467063	Package X10,X30,X40 and COM 2 Drives Connectors for 635/7
LA467064	X10 Test adaptor connector for 635/7

631 Interconnection Cables/Connectors

CM469036U001	631 X20-X20 or X40-X40 100mm interconnecting cable with connectors both ends
CM469029U010	631 X20 1m cable (4 core) with drive connector one end
CM469033U010	631 X40 1m cable (8 core) with drive connector one end
CM469031U003	631 X20 to 635/637/IBT MMI 300mm interconnecting cable with connectors both ends
CI469030	631 X20 CANbus terminator plug
CM469034U003	631 X40 to 635/7 X40 300mm interconnecting cable with connectors both ends

635/637+ COMMUNICATION AND EXTENDED I/O OPTION BOARDS

AH467059U001	Profibus DP (Factory fit only)
AH467059U002	CANbus RP
AH467059U003	Devicenet (Factory fit only)
AH467059U004	Suconet K (Factory fit only)
AH467059U005	RS232
AH467059U006	RS485
AH467059U007	RS422
AH467059U008	Interbus S (Factory fit only)
	635 5 Inputs / 2 Outputs Expansion board
	637 14 Inputs / 10 Output Expansion board

CANBUS ANCILLARY EQUIPMENT

LA469119	8 Channel I/O Expansion Module
LA469118	BCD Switch Module - 6 Digit BCD Switch Module - 5 Digit plus sign
LA469121	BCD Switch Module - 6 Digit with 6 digit LED readout BCD Switch Module - 5 Digit plus sign with 6 digit LED readout

635/637+ EMC EQUIPMENT (NB 631 Series has internal RFI filters)

CO467071	12A 230V 1 phase RFI filter
CO467072	8A 480V 3 phase RFI filter
CO467557	18A 480V 3 phase RFI filter
CO467580	34A 480V 3 phase RFI filter
LA467069	635 (KDER03...07) Cable clamp kit 635 (KDER10) Cable clamp kit
LA467070	637 (KD6R02...10) Cable clamp kit 635 (KD6R16...30) Cable clamp kit

SOFTWARE AND ASSOCIATED HARDWARE

LA469099U002	631 EASYRIDER 'Windows' Software Development Kit including
LA387599	- PC to 631 Programming cable
RD467061U006	- EASYRIDER Software disc
HA467060	- BIAS Programming manual
LA469102U002	635/637 EASYRIDER Software Development Kit including
CM467062	- PC to 635/7 Programming cable
RD467061U006	- EASYRIDER Software disc
HA467060	- BIAS Programming manual
LA467064	- X10 Test adaptor plug

MMI (MAN MACHINE INTERFACE)

	4 x 20 Character IBT MMI
	MMI to 635/7 2m Interconnecting cable with connectors
	MMI to PC 2m Programming Cable
	MMI Programming Software

